



BEFORE YOU BEGIN


安装之前


- Please read these instructions carefully to familiarize yourself with the required tools, materials, and installation sequences. Follow the sections that pertain to your particular installation. This will help you avoid costly mistakes. In addition to proper installation, read all operating and safety instructions.
- All information in these instructions is based upon the latest product information available at the time of publication. Kohler China reserves the right to make changes in product characteristics, packaging, or availability at any time without notice.
- These instructions contain important care, cleaning, and warranty information-**please leave instructions for the consumer.**
- Before installation carefully inspect the new fixture for any signs of damage.
- This product complies with GB/T10357.4-2013, GB/T10357.5-2013 and GB24977-2010.

- 请仔细阅读本指引，以便熟悉所需工具、物料及安装程序。请遵照适用的章节来安装本产品，以免安装失当导致不必要的损失。除了有关正确的安装方法之外，还务请详阅所有操作及安全指引。
- 本指引所载之一切资料，均以印刷时所有之最新产品情况为基础，科勒中国保留权利随时更改产品特性、包装或供应情况，恕不另行通知。
- 本指引也包含了有关保养、清洁及担保等重要资料-请交予用户保存。
- 安装之前，仔细检查产品是否有损伤。
- 本产品符合 GB/T10357.4-2013、GB/T10357.5-2013和 GB24977-2010。

 **WARNING:** Don't use acidic or alkalic cleaners or alcohol to clean the surface. Use a dampened cloth to clean.

 **警告：**表面不能用含酸或碱性的清洁剂以及酒精清洁，请用潮布清洁。

 **CAUTION: Risk of property damage.** Use anchors (not provided) rated for the loaded weight of this product. Refer to the anchor manufacturer's instructions.

 **警告：**财产损失风险。请使用可承载本产品重量的膨胀螺栓（不随货提供）。请参考螺栓制造商的产品说明。

ACCESSORIS LIST

附件清单



Shelf Glass
玻璃层板255*115*6mm
2PCS



Top Clips
顶扣
2PCS



Wall Anchors
入墙胶粒
4PCS



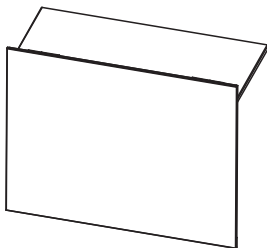
Screw ST3.5X35
盘头自攻螺钉ST3.5X35
4PCS



Shelf Clip
嵌入式层板架
12PCS



Mounting Bar
承托条
1PCS



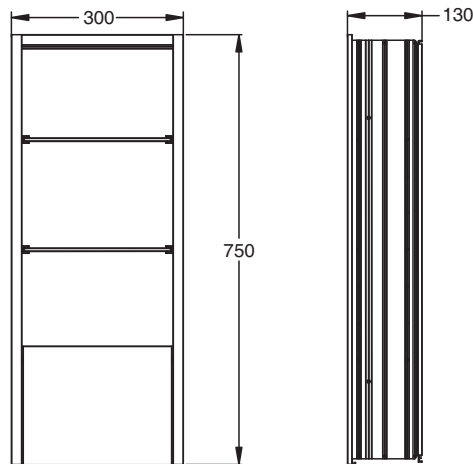
Tissue Box Assy
纸巾盒组件
1PCS

ZHONGSHAN KOHLER SHOWER CO., LTD. NO13-1, XINYE ROAD, ZHONGSHAN TORCH
 DEVELOPMENT ZONE, ZHONGSHAN, GUANGDONG, CHINA POST CODE: 528437
 中山科勒卫浴有限公司 广东省中山市中山火炬开发区兴业路13-1号 邮编：528437

ROUGHING-IN

尺寸图

Reference Value
参考值



UNIT : mm
单位: 毫米

Kohler reserves the right to change marked dimensions without prior notice.
科勒公司保留随时变更图中标示尺寸的权利，无需另行通知。

SHELF INSTALLATION

储物架安装

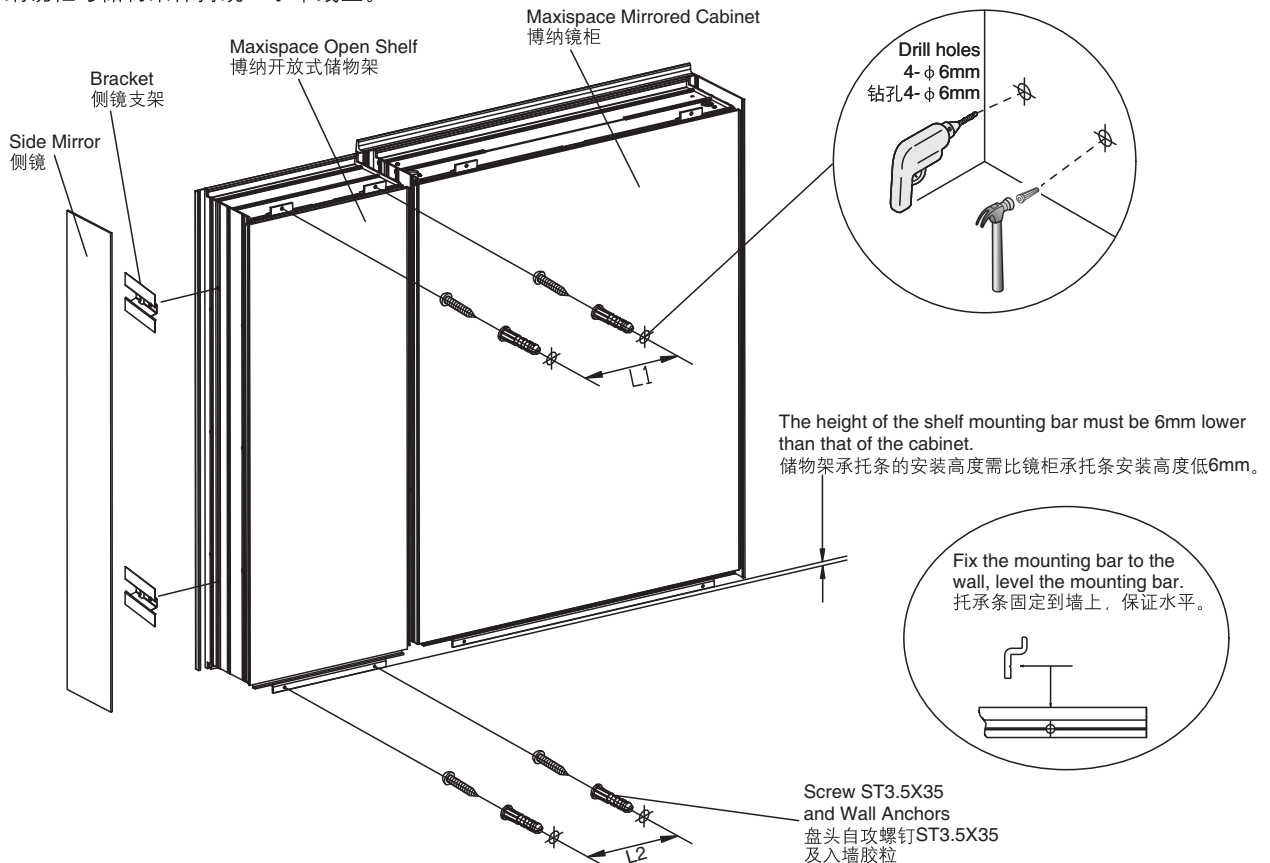
Before installation, remove side mirror bracket on one side to fix it onto the side of the shelf. 安装前，需将博纳镜柜安装储物架一侧侧镜支架卸下，以便安装到储物架侧面。

After the shelf is installed, fix the side mirror bracket onto the shelf for the installation of the side mirror. 储物架安装完成后，需将侧镜支架安装在储物架上，以便安装侧镜。

Maxispace open shelf must be installed together with the maxispace cabinet. The height of the shelf mounting bar must be 6mm lower than that of the cabinet.

博纳镜柜开放式储物架与博纳镜柜配套安装，储物架承托条的安装高度需比镜柜承托条安装高度低6mm。

The cabinet must be on the same level with the open shelf.
保证博纳镜柜与储物架保持统一水平线上。

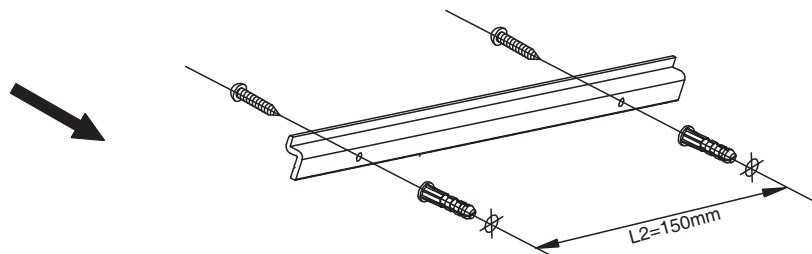


Fix the mounting bar

安装托条

Take out the mounting bar and place it level. Drill holes on it.

拿出托条，水平放置，按托条上的孔距进行钻孔。

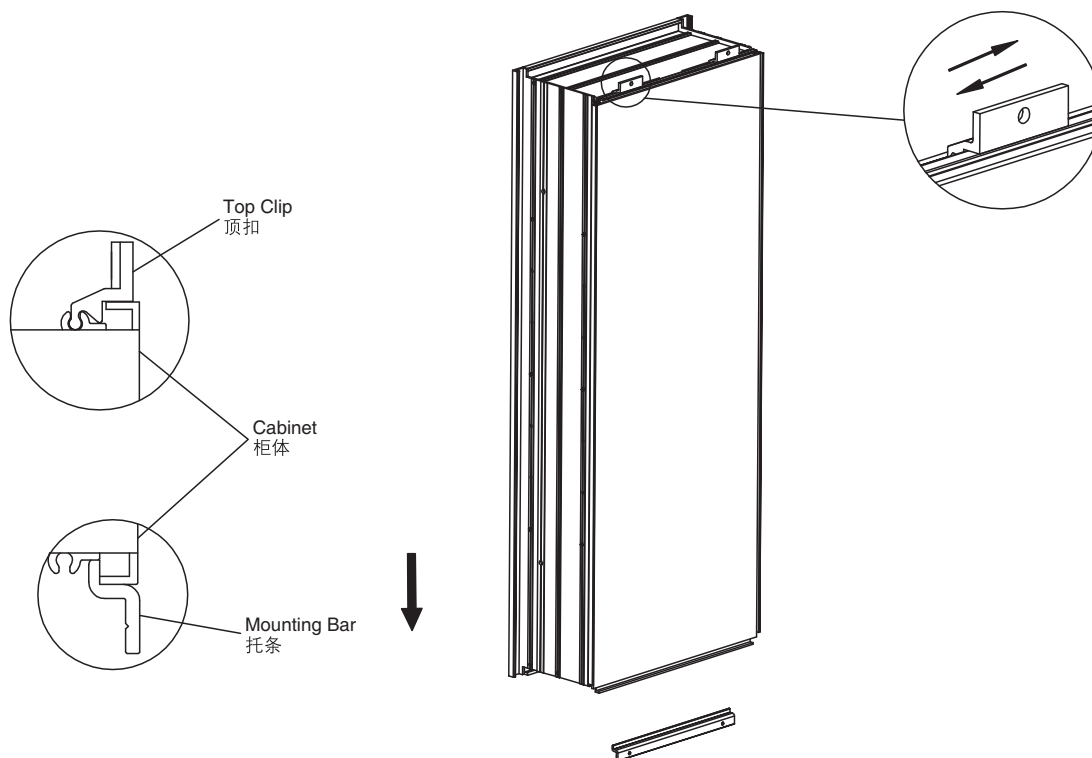


STEP
1

Install top clip to fix the shelf

安装顶扣，固定储物架

1. Put the shelf onto the mounting bar. 1. 将储物架放在托条上。
2. Insert the top clip into the notch. Mark hole positions with pencil. Slide away top clip and drill holes at marked positions. 2. 从中间缺口嵌入顶扣在储物架顶，滑动顶扣，再用铅笔划线，滑开顶扣按照划线位置钻孔。
3. Put the shelf onto the mounting bar. Align with the drilled holes and fix with screws. 3. 将储物架放于托条上，对准上一步骤的钻孔后，用螺钉固定。
4. Rotate the screws 5 to 7 rounds to avoid over tightening the screw. 4. 螺丝固定顶扣打到底后，请将螺丝再旋5到7转以确保爆炸钉涨开。



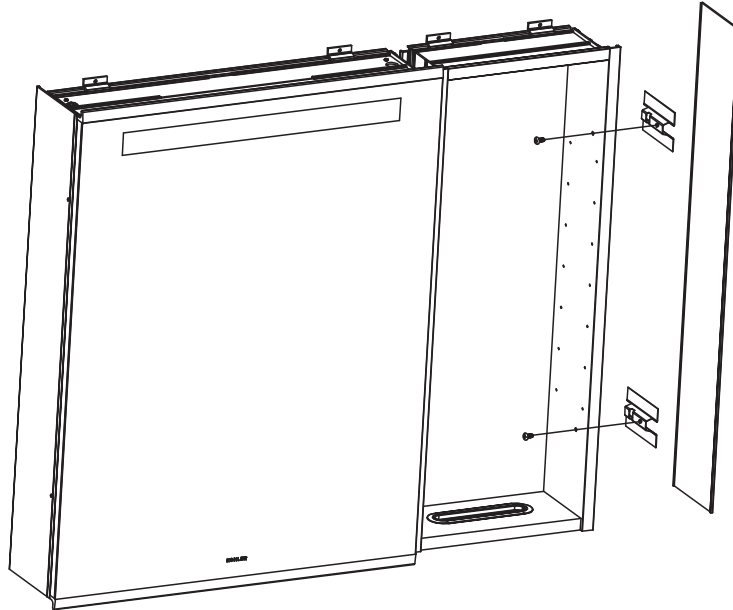
STEP
2

Install side mirror (side mirror and bracket are supplied with the cabinet)

安装侧镜(侧镜及侧镜支架为博纳镜柜配套)

Install as illustrated
按图示位置进行安装

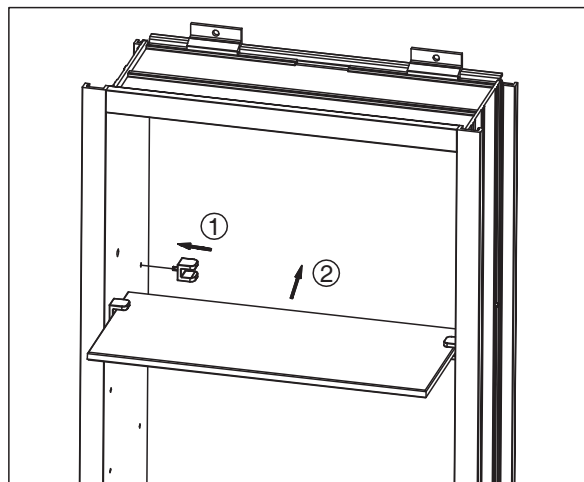
1. Fix the side mirror bracket.
1. 固定侧镜支架。
2. Align the side mirror with the cabinet to see if suitable for installation. Wipe back of the side mirror clean.
2. 将侧镜与柜体边上下对齐，试装一下是否吻合，再将侧镜背面擦干净。
3. Tear the tape on the bracket and push the side mirror onto the cabinet for 30 seconds.
3. 撕开侧镜支架上的双面胶面纸，贴上侧镜并按紧30秒。



STEP
3

Fix glass shelf
安装玻璃层板

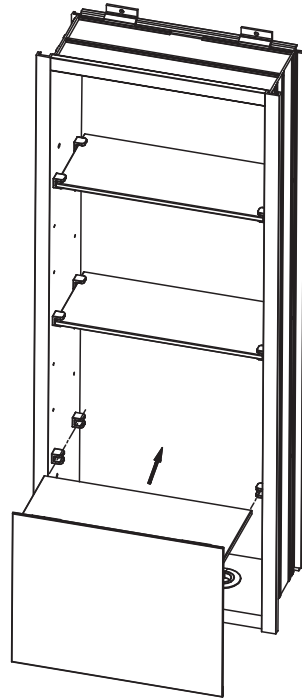
1. Insert the shelf clips into the side holes.
1. 将嵌入式层板架插入两边侧孔。
2. Insert the glass shelf into the shelf clips as illustrated.
2. 将玻璃层板插入层板架，如下图安装方式。



STEP
4

Install tissue box assembly
装纸巾盒组件

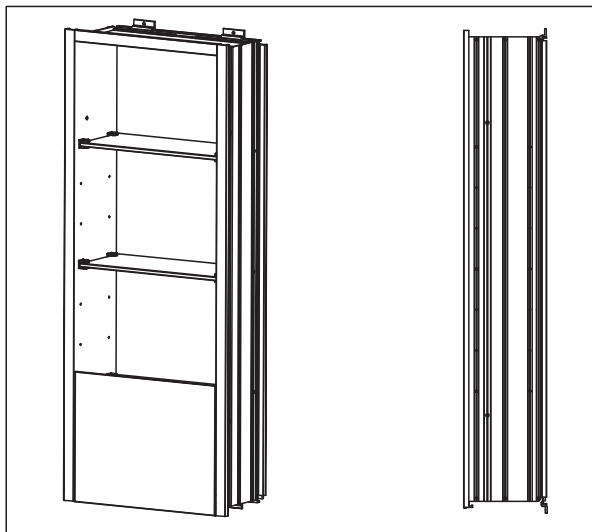
1. Insert the shelf clips into the side holes.
1. 将嵌入式层板架插入两边侧孔。
2. Insert the tissue box assembly into the shelf clips as illustrated.
2. 将纸巾盒组件插入层板架，如下图安装。



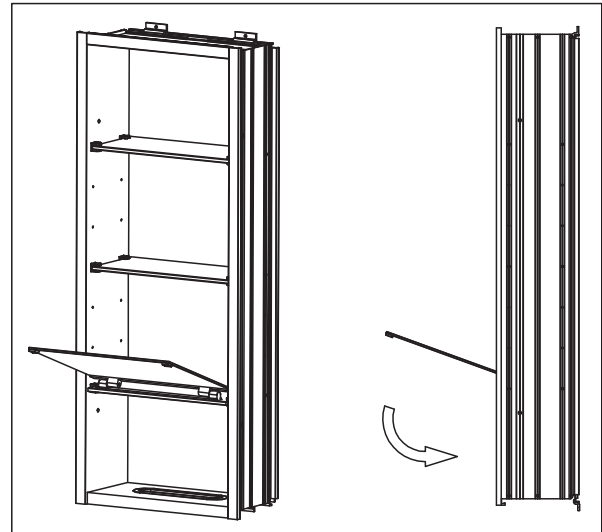
STEP
5

TISSUE BOX COVER ADJUSTMENT 纸巾盒的调节

Closed
纸巾盒盖闭合状态



Open
纸巾盒盖打开状态



PLACE TISSUES

纸巾放置

1. Open tissue box cover.

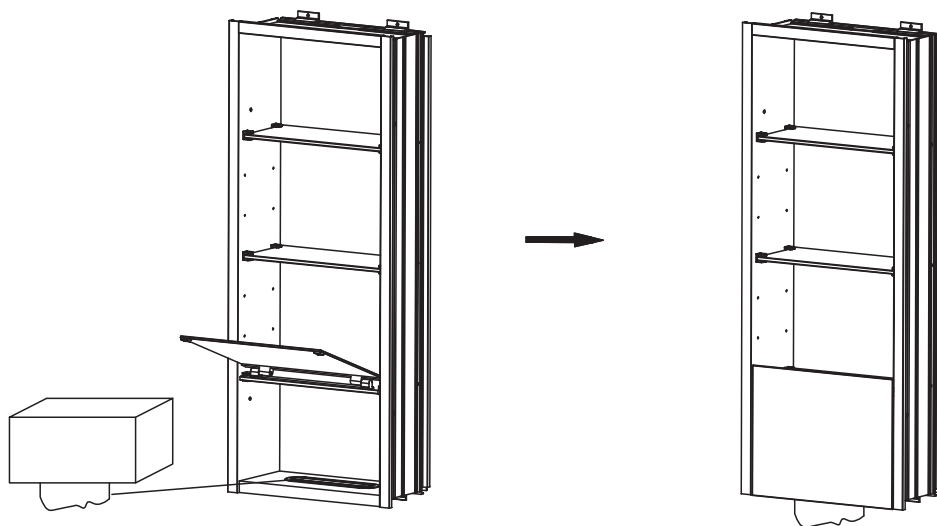
1. 打开纸巾盒盖。

2. Place the tissue box upside down and put it inside. The tissue goes out through the opening on the shelf bottom. Put back the cover.

2. 将纸巾抽出方向朝下，纸巾通过储物架底部开孔将纸巾抽出，合上纸巾盒盖。

3. Repeat the above steps when replacing the tissues.

3. 更换纸巾时，重复以上步骤。



Combination installation with maxispace cabinet (left open cabinet + open shelf)

与博纳镜柜配合安装效果参考(左开门镜柜+开放式储物柜)

